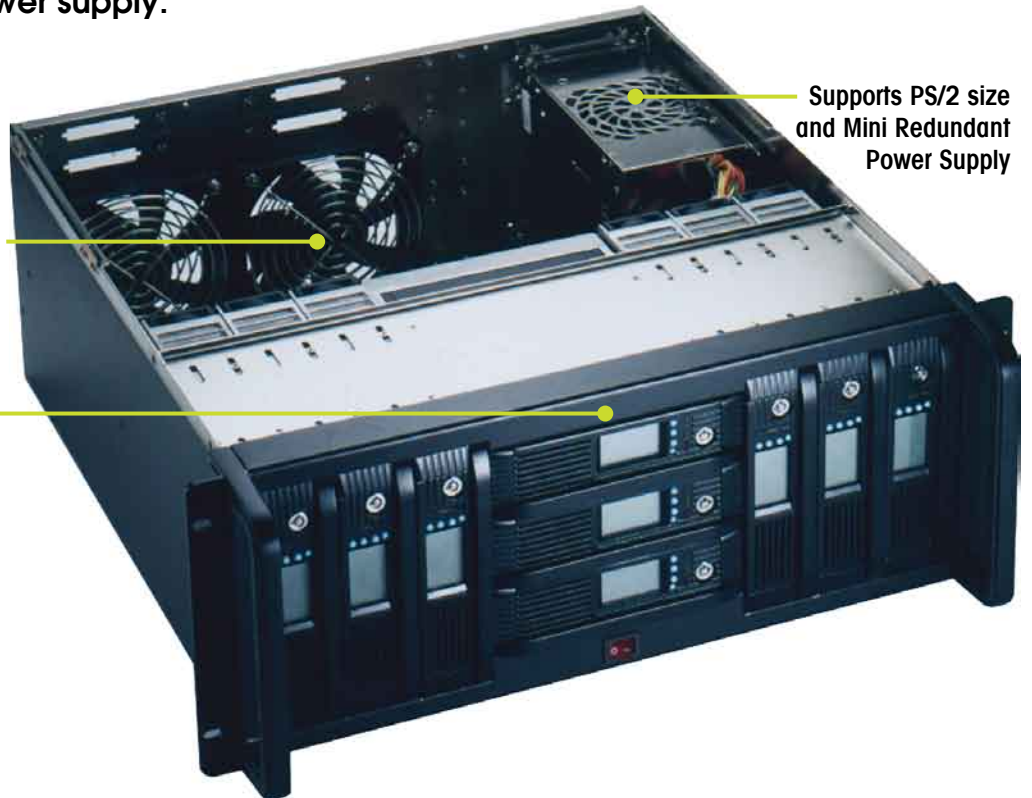


# RCK-409ST

**AICSYS**  
ADVANCED INDUSTRIAL COMPUTER SYSTEMS

**4U Rackmount Chassis  
for RAID storage with nine  
5.25" drive bays, two high-speed  
ball-bearing fans and optional mini  
redundant power supply.**



Two 12cm high-speed Ball Bearing Fans

Nine 5.25" Drive Bays

Supports PS/2 size  
and Mini Redundant  
Power Supply

## Introduction

RCK-409ST is specifically designed as a storage server. Within its short chassis, it provides capacity of nine 5.25" mobile rack applicable drive bays to store large amounts of data. Appropriate temperature within RCK-409ST is sustained by two 12 cm high-speed ball-bearing fans. Mini-redundant PS/2 size power supply is applicable to ensure minimum down time of the system. RCK-409ST is very suitable for RAID application for small to large companies.

## Features

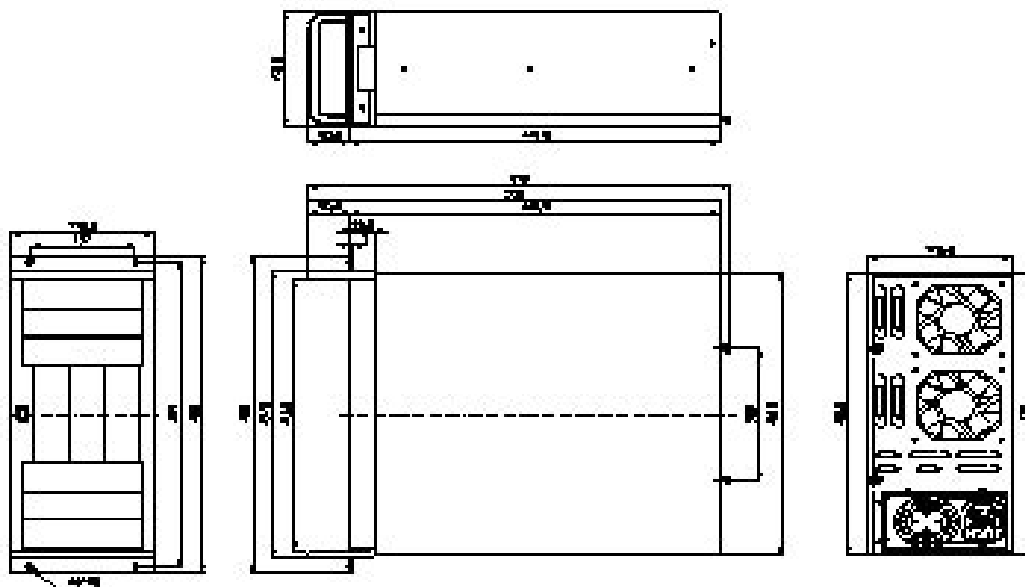
- Standard 4U 19" RAID storage chassis.
- Heavy Duty Steel with Ni plating.
- Nine 5.25" HDD drive bays (Mobile Rack applicable).
- Supports PS/2 or mini-redundant power supply.
- Two high speed ball bearing fans.

## Contact Information

12F-3 No 77 Shin Tai Wu Road Sec 1  
221 Hsi Chi, Taipei Hsien, Taiwan, ROC  
Telephone: +886-2-2698-3280 / Fax: +886-2-2698-3304  
Sales: sales@aicsys.com / Technical Support: support@aicsys.com



## Technical Drawing



### Construction

Heavy duty steel with Ni plating

### Color

Black

### Board Support

N/A

### Drive Bays

Nine 5.25" external drive bays (Mobile Rack applicable).

### Expansion

N/A

### Power Supply

Supports PS/2 size and PS/2 size mini redundant power supply.

### Cooling

Two 12cm high speed ball bearing fans.

### Keyboard/Mouse Ports

N/A

### Switches

On/Off switch.

### Indicators

One power on/off LED and one HDD LED.

### Dimensions

426(W) x 449.5(D) x 177(H) mm / 16.8" x 17.7" x 7"

### Operating Temperatures

0~55 °C

### Gross Weight

16 kg

### Ordering Information

RCK-409ST

4U chassis RCK-409ST for data storage server

### Contact Information

12F-3 No 77 Shin Tai Wu Road Sec 1  
221 Hsi Chi, Taipei Hsien, Taiwan, ROC  
Telephone: +886-2-2698-3280 / Fax: +886-2-2698-3304  
Sales: sales@aicsys.com / Technical Support: support@aicsys.com